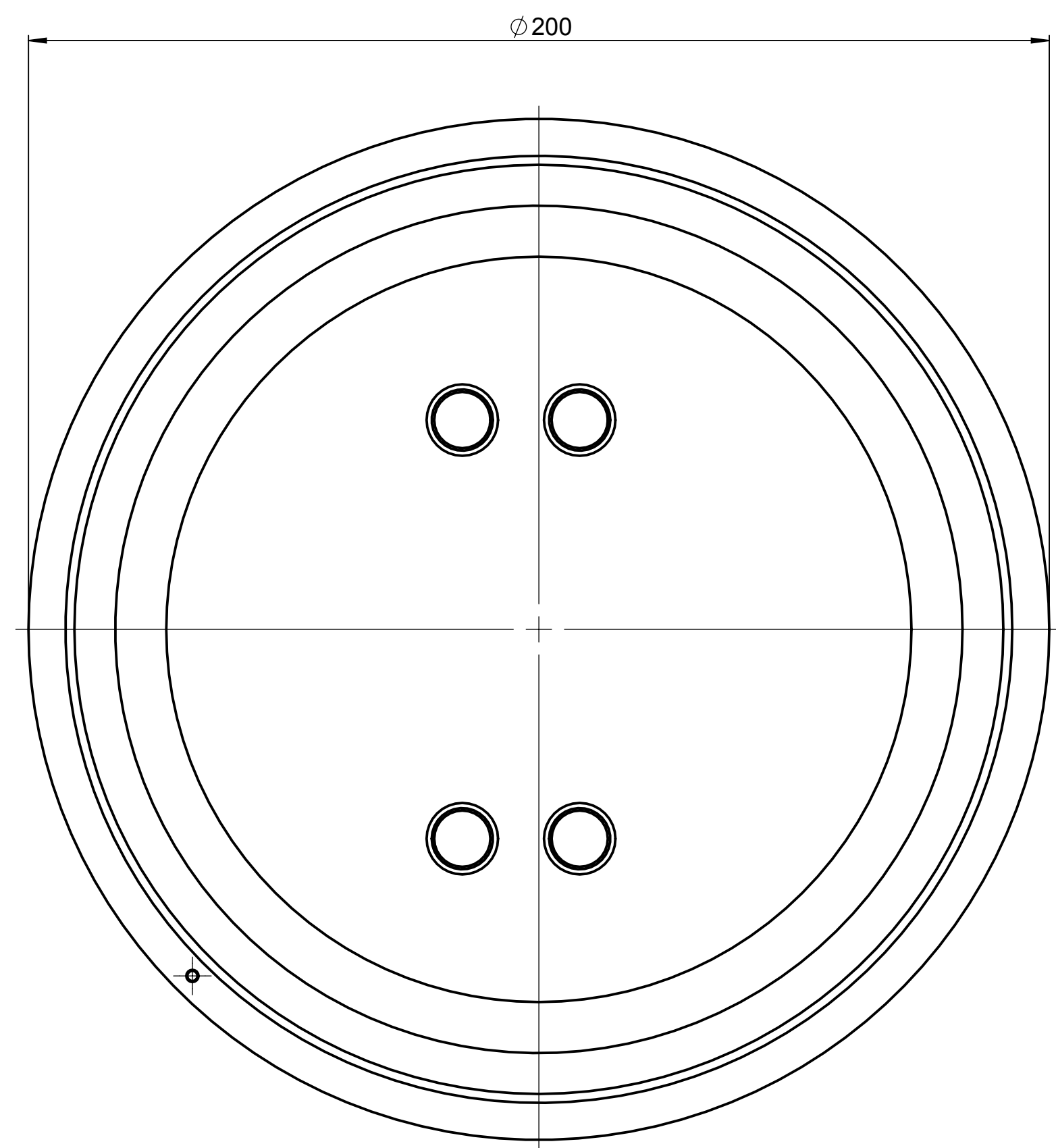
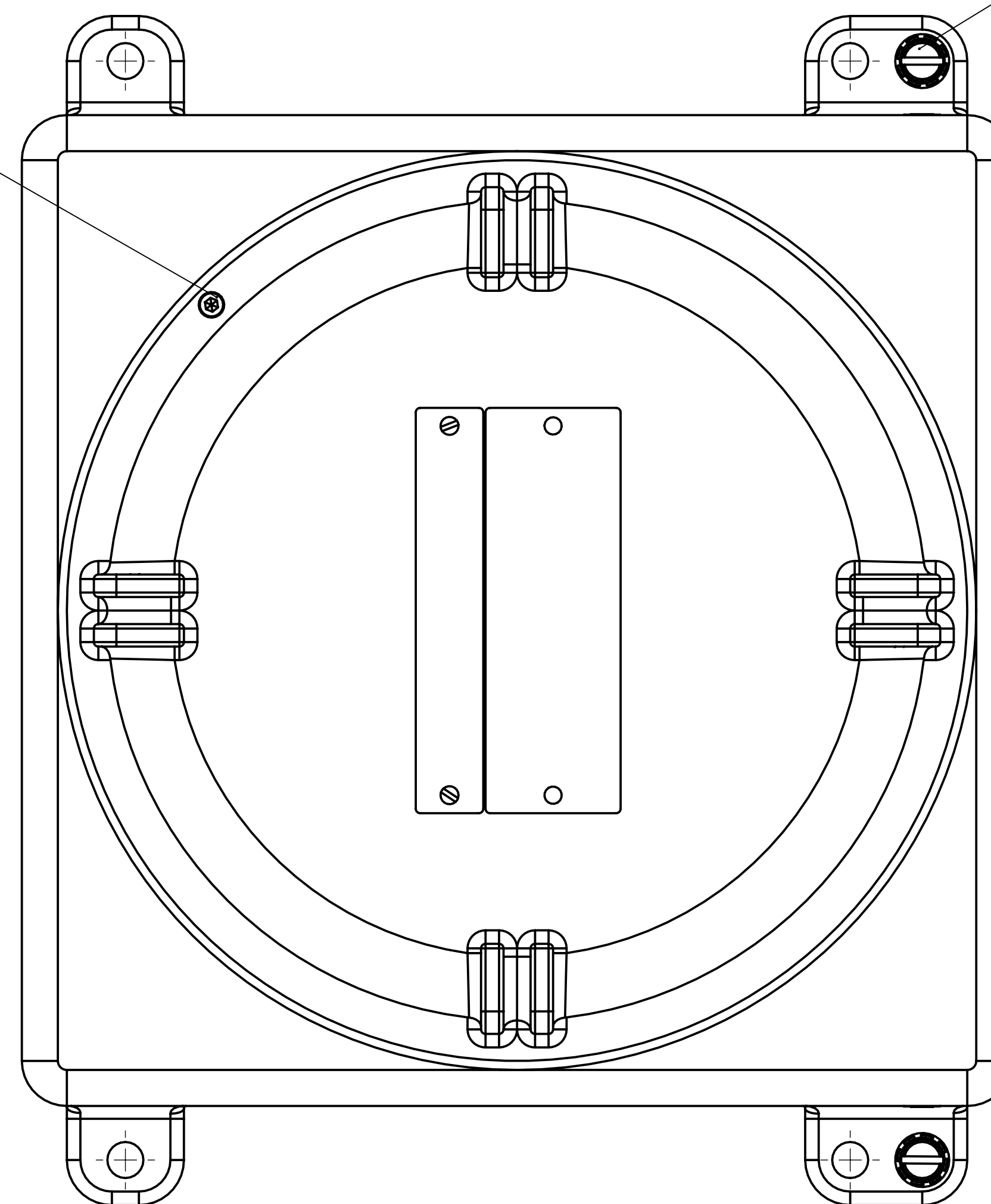


All rights reserved. No copies
 permitted without written consent
 of the manufacturer. The manufacturer
 is not liable for any damage or
 loss of data.

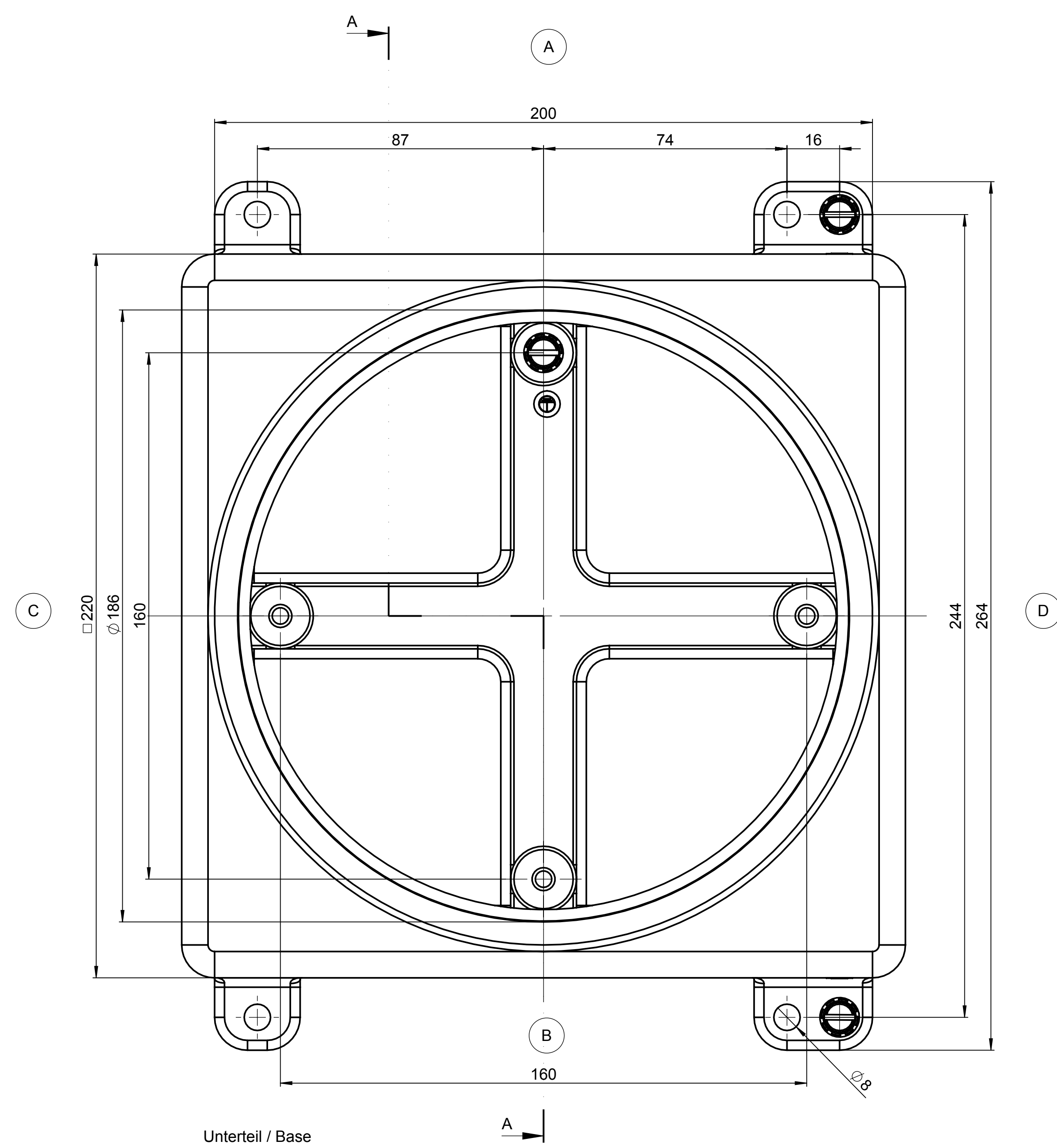


Deckel / Lid

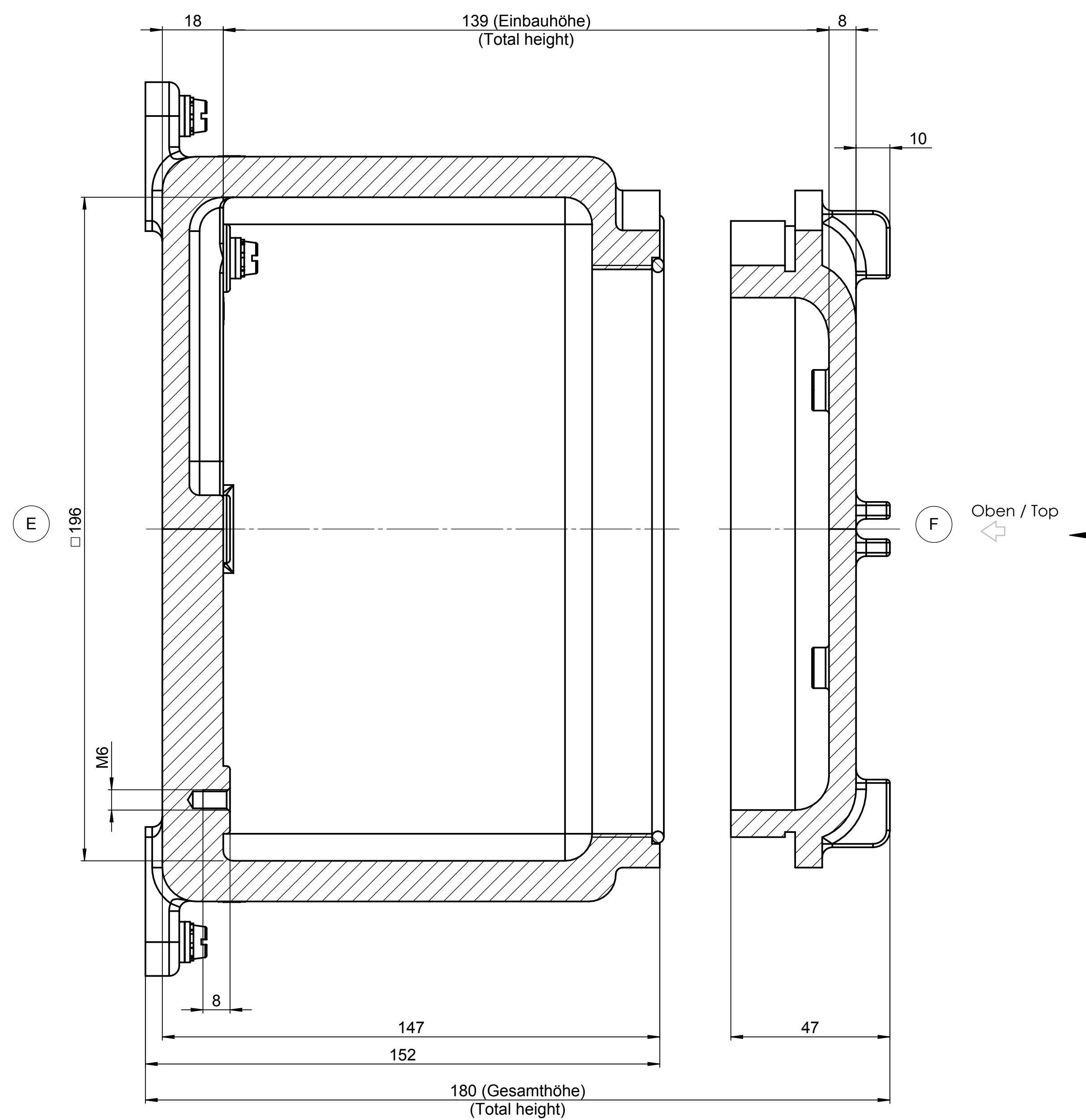
Zylinderschraube / Cylinder screw
 DIN 912 - M3x10
 Deckelbefestigungsschraube / Lid protection screw



Zylinderschraube / Cylinder screw
 DIN84 - M6 x 14 (3x)



Unterteil / Base



Index	Änderung/Modification	Art/Nr. created checked	Datum/Date 13.02.17 16.02.17	Name M.Lei. J.Pla.	Projekt-Nr./project-no. 32457	Farbe/color -	Gewicht/weight 6.16kg	Werkstoff/material -	ISO 8062-3 - DCT06
Scale	Benennung/Description		Ex d Gehäuse GUB 01		Drawing/Note		KAT40.102010		
1:1	Ex d enclosure GUB 01								
DIN A0									